

PSP-100 Series

Networkable Switch Pack for HID Fixtures

- Step dims HID fixture to half power based on aisle occupancy
- Compatible with most dimming-ready HID fixtures equipped with CWA ballast and dual-section capacitor
- Unitized construction houses power supply and relay in single enclosure
- Copper-less plastic optical fiber can be run outside of existing conduit
- 200 foot fixture spacing without fiber optic signal degradation
- Universal multi-volt operation: 208-480VAC @ 60 Hz without taps or jumpers
- Microprocessor-based design assures start-on-high to maximize lamp life, even when the fiber network is disconnected



Wide Fixture Compatibility.

The PSP-100 series switch pack step-dims a single HID fixture based on aisle occupancy. Switch packs have no IR motion sensing capability but get commands from nearby PIP motion sensors via plastic optical fiber.

All-in-one Construction.

PSP-100 series switch packs feature a unitized injection-molded enclosure that houses the power supply, fiber optic transceiver and switching relay. The switch pack can be mounted to either a ceiling junction box or directly to an HID fixture with an optional mounting bracket and electrical connector supplied by Viewpoint Electronics.

Plug 'n' Go Installation on Compatible Fixtures.

Dimming-ready HID fixtures can be special ordered from participating lighting manufacturers pre-wired with a PSP-compatible wire harness and connector. Switch pack installation on these plug 'n' go fixtures requires less than 30 seconds and just a screwdriver.

Universal Multi-Volt Operation.

Forget the stocking problems and field installation headaches associated with line voltage compatibility! This switch pack works with fixtures rated 208-480VAC @ 60Hz without using transformer taps or jumper wires.

Benefits of Plastic Fiber Networking.

Forget about conflicts with local building codes that sometimes require low-voltage copper signaling conductors to be conduited! The PSP-100 series switch pack is equipped with communication jacks that accept low-cost plastic optical fiber. This copperless fiber can be attached to the outside of existing conduit with plastic tie-wraps. Fiber networking allows the creation of lighting control zones as small as two fixtures or as large as an entire warehouse aisle.

Plastic optical fiber is available in 1500 foot spools and can be installed without expensive tools, specialized connectors, or installer training.

Self Diagnostic Features.

The switch pack features an LED lamp that blinks three distinct diagnostic patterns to assist with installation and debugging of aisle networks using fiber optics. A manual override switch on the sensor permits an installer to toggle the relay and confirm proper operation of the attached HID fixture.

Guaranteed Lamp Start-On-High.

Unlike competitors with older designs, Viewpoint's microprocessor-based architecture fosters full rated HID lamp life by assuring that the lamp always starts on high power, even during AC power bumps or loss of fiber optic signals.

Compatible with PIP Series Motion Sensors.

PSP-100 series switch packs are designed to be compatible with PIP-200 series fiber optic motion sensors made by Viewpoint Electronics.

PSP switch packs are less expensive than motion sensors and require no reflector pin bracket for mounting. Switch packs need no downward aiming during installation.

Tilting of swivel hook mounted fixtures due to off-centered weight is never a problem with switch packs.

Field Programmable Versions.

The lowest cost members of the PSP-100 family have a fixed set of features and analog signaling on the fiber. More advanced members of the PSP family offer fixture addressability and digital signaling between nodes. This system supports more sophisticated zone control strategies.

Contact factory for ordering information and availability of addressable fiber products and low-cost programming tools.

Utility-Directed DSM Load Shedding.

PSP switch packs can be ordered with optional firmware and fiber gateways to support utility-directed Demand Side Management load shedding.

VIEWPOINT

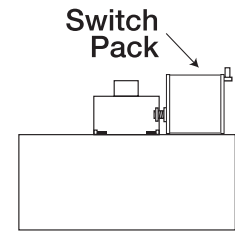
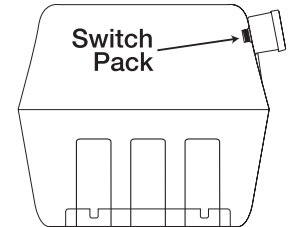
ELECTRONICS

7015 Corporate Circle • Indianapolis, Indiana 46278 • www.viewpointelectronics.com • 317.590.0700 • 800.898.7139 • Fax 714.751.8135

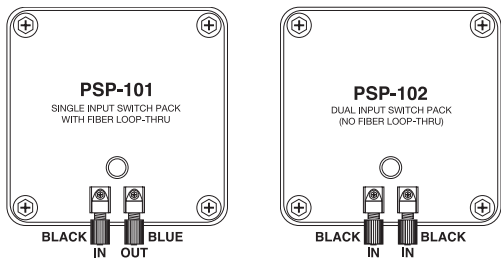
SPECIFICATIONS

Fixture Compatibility HID with constant wattage autotransformer ballast
 Dimming Method Relay switched dual section capacitor
 Switching Configurations Parallel (preferred) or series capacitors
 Relay Current Rating 4 amperes RMS maximum
 Maximum Fixture Wattage 1000 watts parallel mode/400 watts series mode
 AC Line Voltage (black and white wires) 208/240/277/480VAC @ 60 Hz
 Switch Pack Power Consumption 3 watts maximum
 Optical Fiber Type Mitsubishi ESKA SH-4001
 Maximum Fiber Spacing Between Nodes 200 feet
 Ambient Temperature Range 0-50° C non-condensing
 Observed-Motion High Power Time Determined by adjacent motion sensor
 Start-On-High Warm-up Interval 15 minutes (not user adjustable)
 Installation Assists Magnetic Test Switch and Blinking LED
 Mounting Options 1/2" NPT nipple or adjustable pinch bracket
 Wire Harness 5 Conductor 18AWG stranded copper
 Wire Harness Length (Except Plug 'n' Go Versions) 6 inches
 Harness Termination Bare wire or Plug 'n' Go connector
 Off-center Weight 10 ounces without optional counterweight
 Dimensions (including mounting nipple) 3.25" x 3.25" x 3.25"
 UL File Number Category FNFT File No. E234927

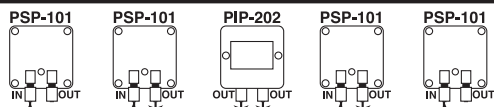
Typical Fixture Mounting Configuration



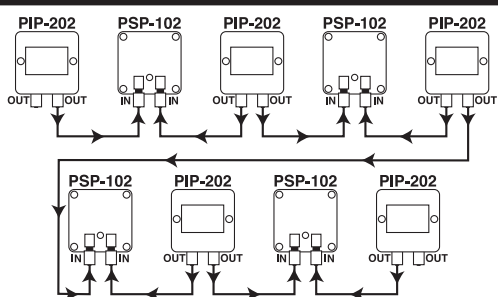
Available PSP-100 Series Configurations



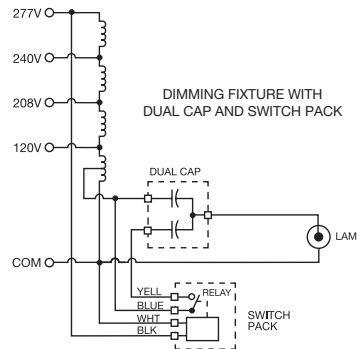
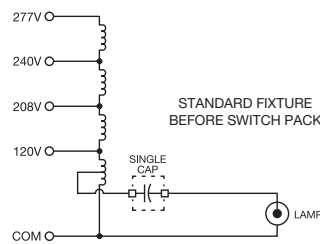
Five Fixture Zone with Single Input Switch Packs and One Dual-Output Sensor



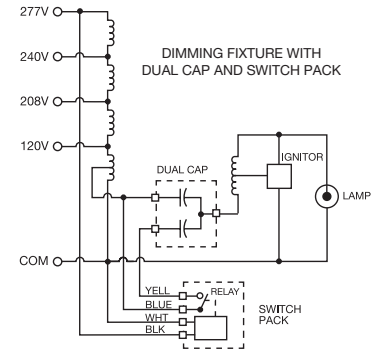
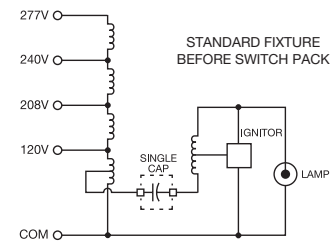
Dual-Output Sensors Interleaved with Dual-Input Switch Packs



Wiring Schematic to Ballast



METAL HALIDE FIXTURE WITHOUT PULSE START



HIGH PRESSURE SODIUM OR PULSE START METAL HALIDE

Viewpoint's products are represented by: